

EU DTLF, eFTI and FEDeRATED Architecture

29 months left

UNCEFACT Transport and Logistics Digital Forum – 8 October 2020
rHEMELEERS@51biz.lu



Co-financed by the Connecting Europe
Facility of the European Union

Agenda for today

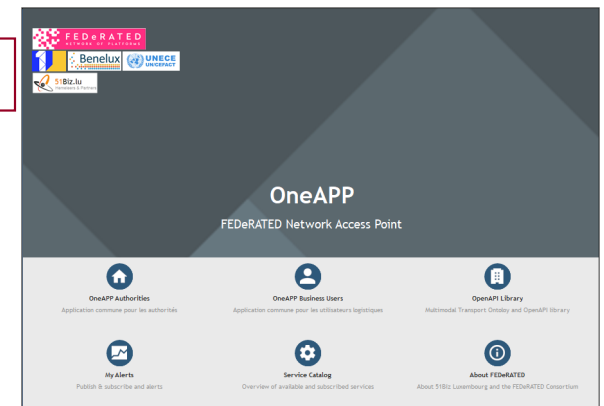
1. The two priorities of the DTLF

- eFTI
- EU Federated Network

2. Get a common understanding

- What is eFTI about?
- What are the key questions for the next 29 months?
- The role of an EU federated architecture

FEDeRATED EU-Gate Living Lab
Version -29



Two DTLF priorities



Digital Transport and Logistics Forum

Group of 120 experts that advise the European Commission (DG Move) on its digital transport strategy

5-year mandate (2019-2024)

Two EU CEF Funded consortiums (FEDeRATED, FENIX)



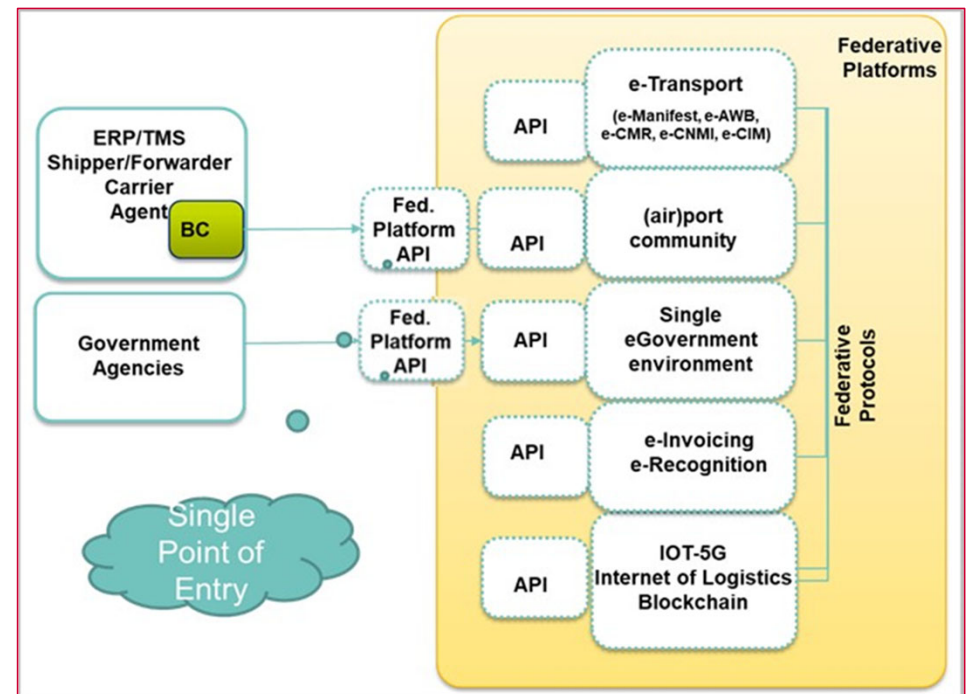
Two DTLF priorities

eFTI Regulation

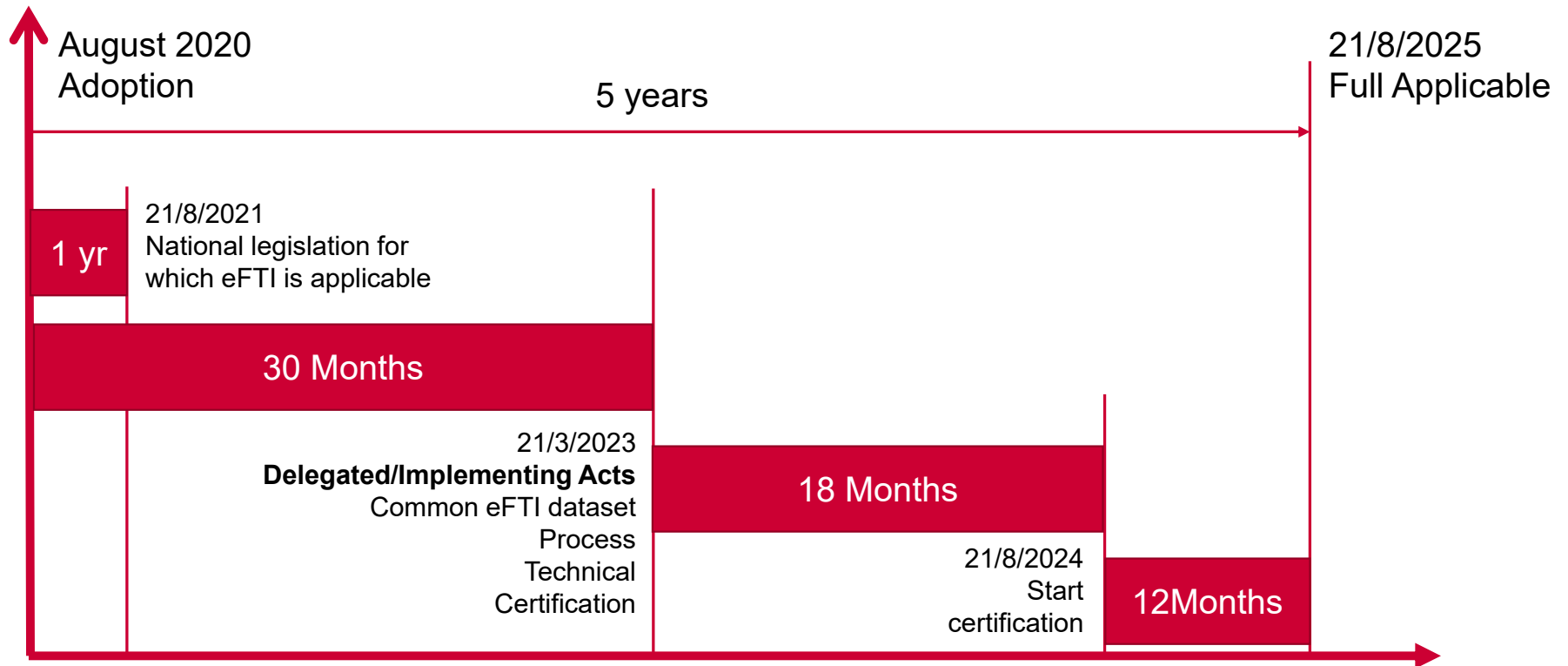
EU 2020/1056 regulation on electronic freight documents

- Adopted 8/2020, applicable 5 years later = 21/8/2025
- Obligation for EU MS to accept electronic transport documents
- In an EU harmonized machine-readable data format
- Certified solutions and service providers
- EU MS must ensure the interoperability of IT systems

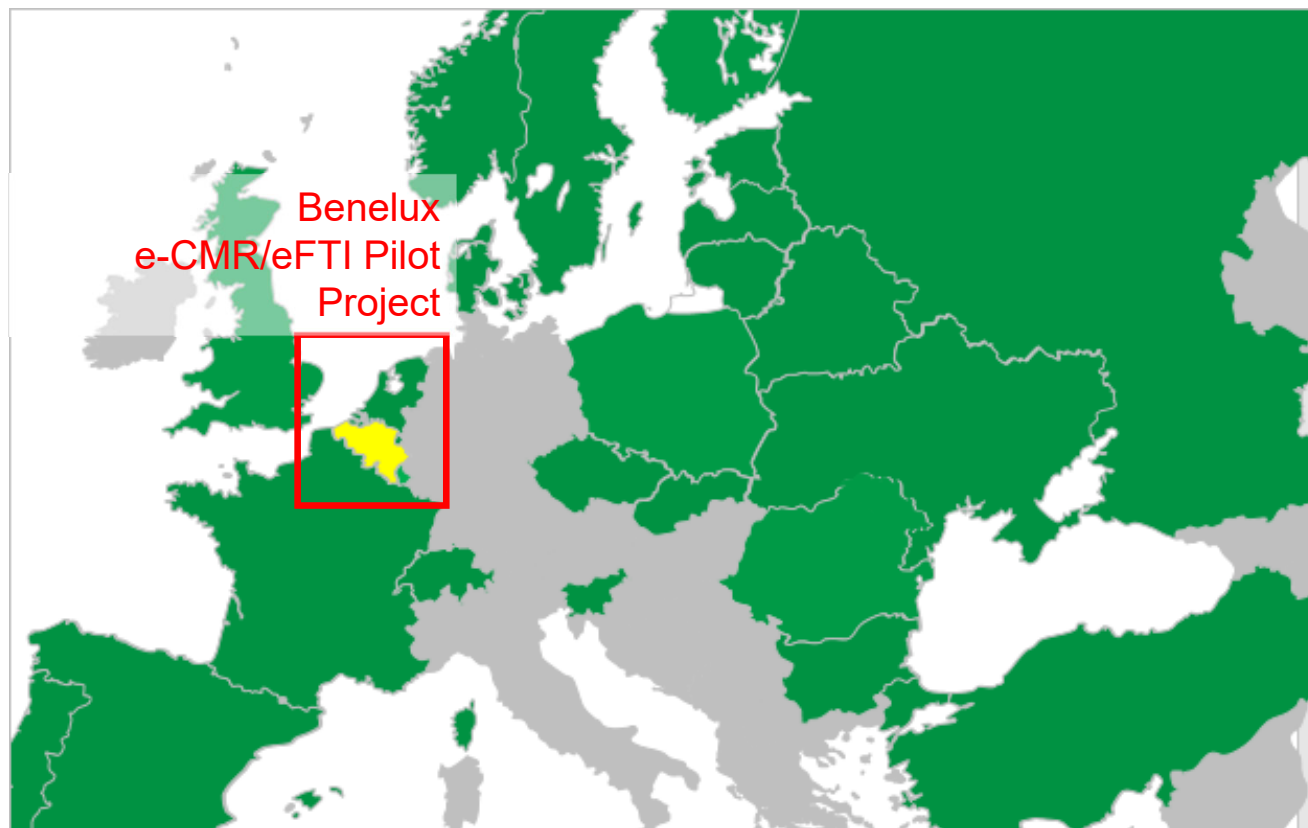
EU Federated Architecture



EU 2020/1056 eFTI Regulation



The roots of the eFTI regulation



28 countries are adopting the e-CMR Protocol

Belarus, Bulgaria, Czech Republic, Denmark, Estonia, Finland, France, Iran, Latvia, Lithuania, Luxembourg, Moldavia, Poland, Portugal, Romania, Slovakia, Slovenia, Netherlands, Norway, Oman, Russia, Spain, Sweden, Switzerland, Tajikistan, Turkey, Ukraine and UK

[Latest update on UNECE Website](#)



OneAPP for Authorities

FEDeRATED
NETWORK OF PLATFORMS

Benelux

UNECE
UNCEFACT

51Biz.lu
Innovators & Partners

OneAPP

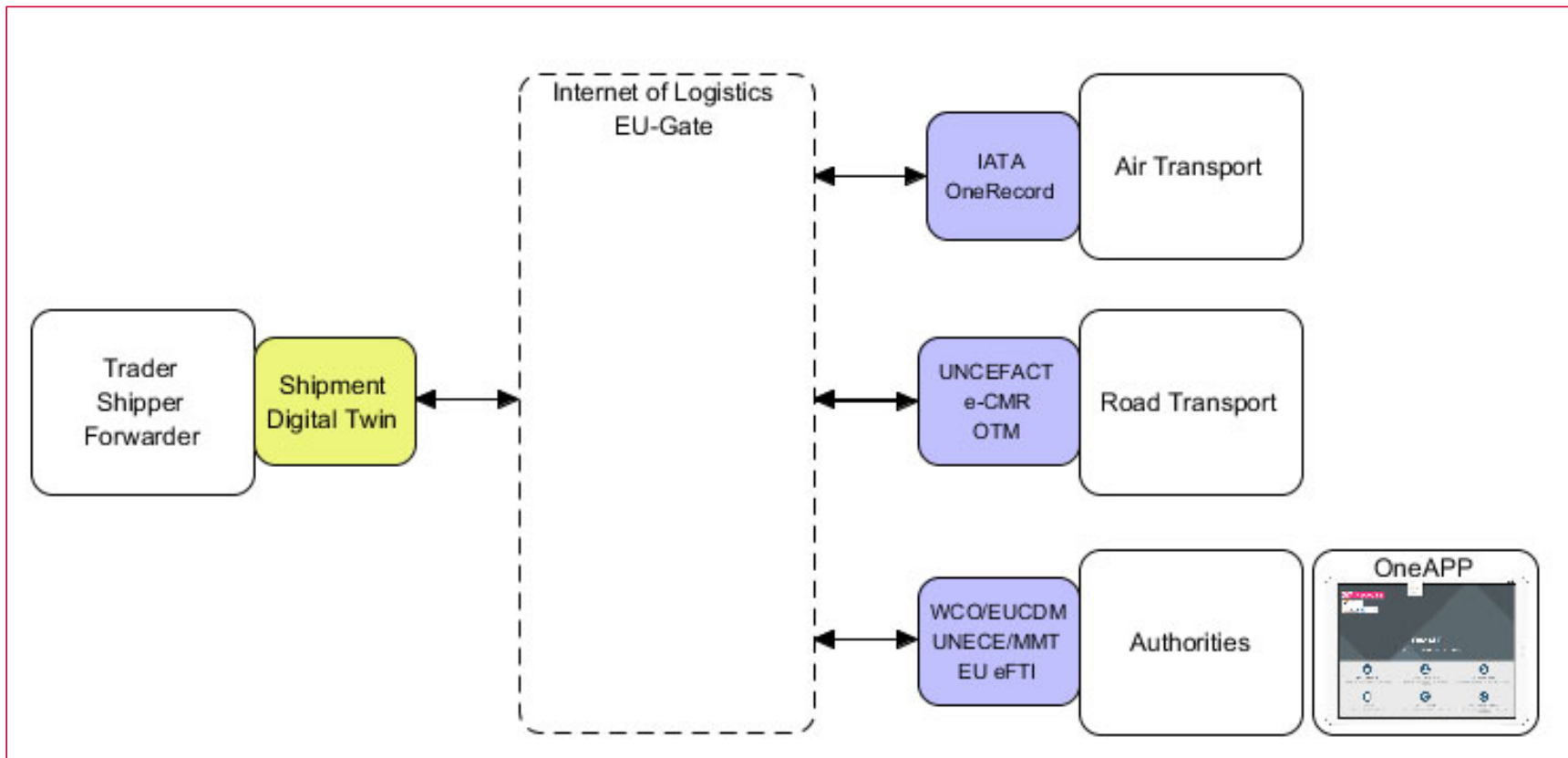
FEDeRATED Network Access Point

- OneAPP Authorities**
Application commune pour les autorités
- OneAPP Business Users**
Application commune pour les utilisateurs logistiques
- OpenAPI Library**
Multimodal Transport Ontology and
- My Alerts**
Publish & subscribe and alerts
- Service Catalog**
Overview of available and subscribed services
- About FEDeRATED**
About 51Biz Luxembourg and the FEDeRATED

- EU-Gate e-CMR/eFTI Access point
- Living lab of EU-Funded FEDeRATED consortium
- IATA OneRecord Pilot Project
- Integrated with Benelux e-CMR/eFTI pilot project
- Use real-world multi-modal reference supply chains
- Integrate multiple vocabularies and ontologies
- Create a common understanding about eFTI
- B2B and B2A



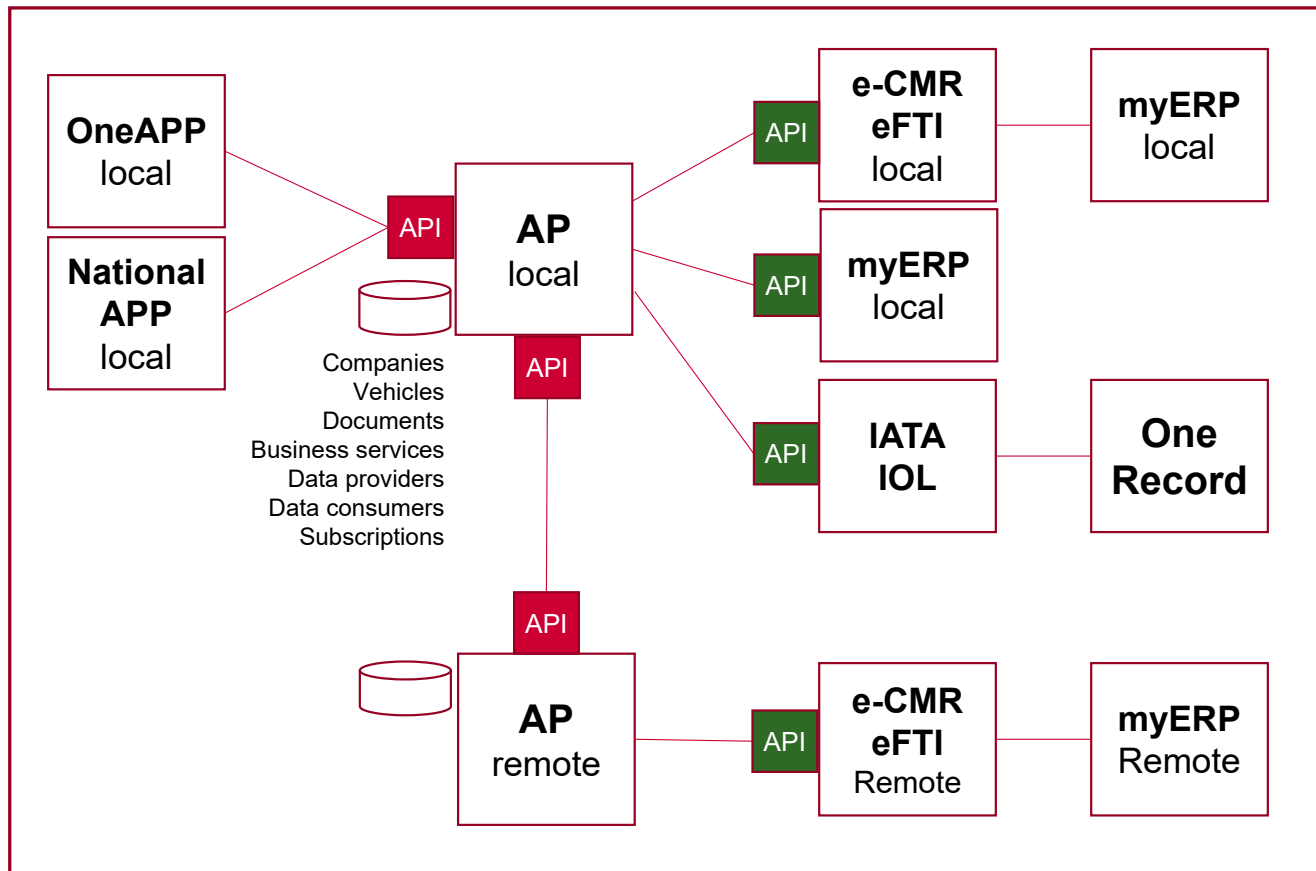
Internet of Logistics



Co-financed by the Connecting Europe
Facility of the European Union



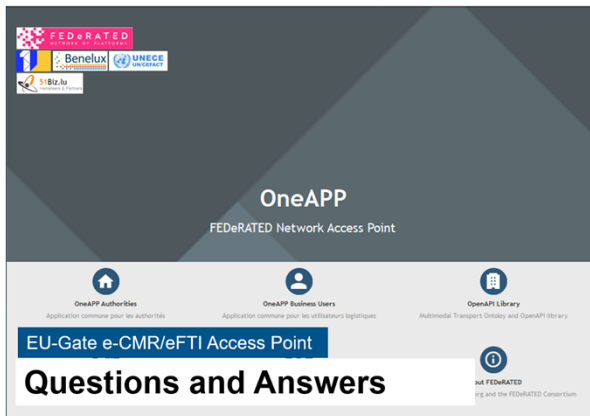
EU-Gate e-CMR/eFTI Access Point



- Living lab to validate FEDeRATED Master Plan and architecture
- Pilot IATA OneRecord
- OneAPP and API for authorities
- B2B and B2A
- Integrated with Benelux e-CMR/eFTI pilot project
- Integrate multiple vocabularies and ontologies



Key questions for next 29 months



1. Roles of access points
2. Metadata to find source of data
3. Unique identifiers and URI
4. Integration of multiple vocabularies and ontologies
5. Same data for commercial, transport and compliance reasons

<https://www.eu-gate.eu/oneapp/qa>
rhomeleers@51biz.lu

